



Features:

- Universal / Full range AC input
- Multi DC Plug system - 6 pack
- Class II power (no earth)
- Small & Compact UK Plug design
- Switch-mode power supply
- Cost effective and high reliability
- Protections: Over Voltage, Short circuit & Over Temp.
- Approvals: GS & CE
- Level V ErP/EuP efficiency compliant
- MTBF >50,000 hours
- 1 Year Warranty



Output Characteristics

| Part Number | T4100ST* | T4102ST | T4103ST | T4104ST* | T4105ST* | T4106ST* |
|--------------------------|--|------------|------------|------------|------------|------------|
| Voltage | 5Vdc | 9Vdc | 12Vdc | 15Vdc | 18Vdc | 24Vdc |
| Current Max. | 2.6A | 2A | 1.5A | 1A | 0.825A | 0.625A |
| Current Min. | 0A | 0A | 0A | 0A | 0A | 0A |
| Power (watts) | 13W | 18W | 18W | 15W | 15W | 15W |
| Line Regulation | ± 1% | ± 5% | ± 5% | ± 1% | ± 1% | ± 1% |
| Voltage Tolerance | ± 5% | ± 5% | ± 5% | ± 5% | ± 5% | ± 5% |
| Ripple & Noise (mV p-p) | 150mV | 150mV | 200mV | 150mV | 150mV | 250mV |
| Protections | Over Voltage: Output voltage shall be clamped by internal protection zener Short Circuit: Output shut down and auto restart Temperature: No ignition, smoke or deformation of the case | | | | | |
| Case Size (See below) mm | 72x47.6x35 | 80x35x54.8 | 80x35x54.8 | 72x47.6x35 | 72x47.6x35 | 72x47.6x35 |
| Weight (approx.) | 195g | 135g | 135g | 195g | 195g | 195g |
| DC Cord | 1 Metre | 1.5 Metre | 1 Metre | 1 Metre | 1 Metre | 1 Metre |
| DC Plug (mm) | R-A 6-pack | R-A 6-pack | R-A 6-pack | R-A 6-pack | R-A 6-pack | R-A 6-pack |

* Upgrade to Level V efficiency pending

Input Characteristics

| | | | | | | |
|--------------------------|--|-----------|-----------|----------|----------|----------|
| Rated Input Voltage | 100-240Vac | | | | | |
| Full Input Voltage Range | 90-264Vac | | | | | |
| Rated Frequency | 50-60Hz | | | | | |
| Full Frequency Range | 47-63Hz | | | | | |
| Efficiency (min.) | 73% | 80.29 % | 80.29 % | 74% | 74% | 74% |
| Input Current (RMS Max.) | 400mA | 500mA | 500mA | 400mA | 400mA | 400mA |
| Inrush Current 115Vac: | 30A Max. | 50A Max. | 50A Max. | 30A Max. | 30A Max. | 30A Max. |
| 230Vac: | 50A Max. | 100A Max. | 100A Max. | 50A Max. | 50A Max. | 50A Max. |
| Leakage Current | 0.25mA | <0.25 mA | 0.1mA | 0.25mA | 0.25mA | 0.25mA |
| Input Power (no load) | <0.3W Max. (Level V ErP/EuP/CEC Compliant) | | | | | |
| Fixed AC Plug | UK | UK | UK | UK | UK | UK |

Safety, Mechanical and Other Characteristics

| | |
|--------------------------|--|
| Range Model Designations | 3A-181WE, 3A-161WE & 3A-182WE (specified individually on each product label) |
| Hi-Pot Specification | 3000Vac 10mA 1Min. (I.P. to O.P.) |
| Insulation Resistance | 500Vdc to test the I.P.-O.P resistance not less than 100Mohm (I.P. to O.P.) |
| Operating Temperature | 0°C to 40°C |
| Storage Temperature | -10°C to 70°C |
| Operating Humidity | 20% to 80% |
| Storage Humidity | 10% to 90% |
| Safety Approvals | GS & CE |
| EMI Standards | meet FCC class B, CE, VCCI - I |
| PB-free | Yes. RoHS Compliant |
| MTBF | 50K Hours (mean time before failure) |



Stontronics Ltd

Chancerygate Business Centre, Cradock Road, Reading, Berkshire, RG2 0AH.

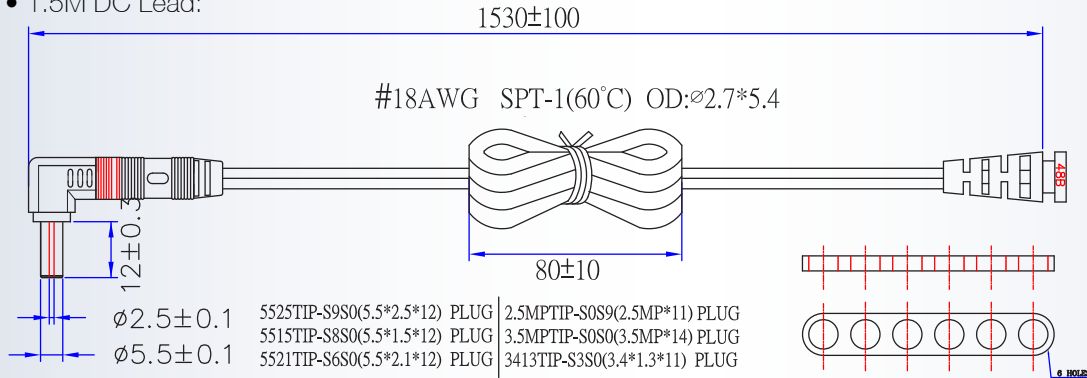
Tel: +44 (0) 118 931 1199 • Fax: +44 (0) 118 931 1145 • Email: info@stontronics.co.uk • Web: www.stontronics.co.uk

Please Note: Image shown is representative of entire range. Individual PSU image &/or drawings or data sheets available on request.

Stontronics Ltd accepts no responsibility for typographical errors in the production of this leaflet. Product specifications are subject to change without notice.

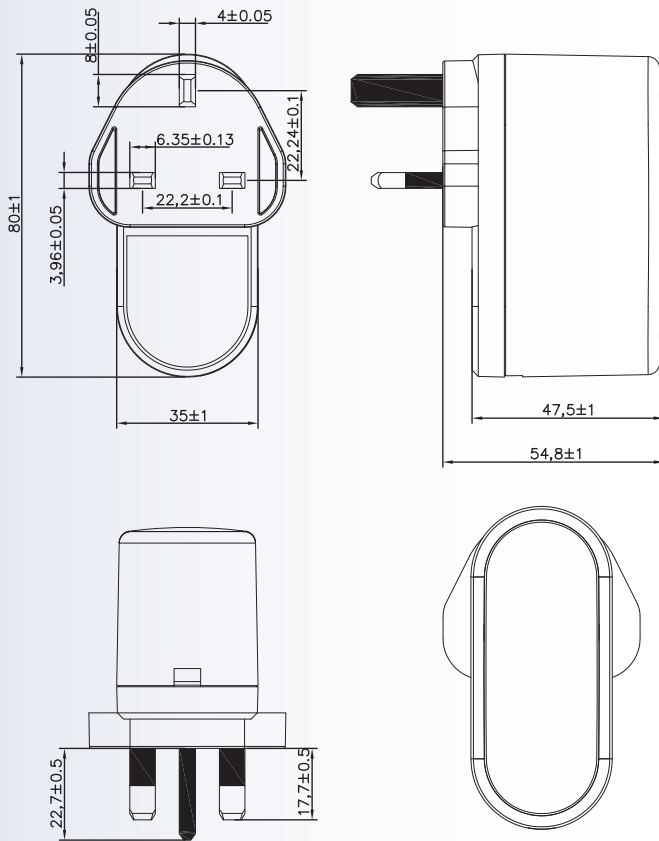
DC Plug & Lead Drawing:

- 1.5M DC Lead:

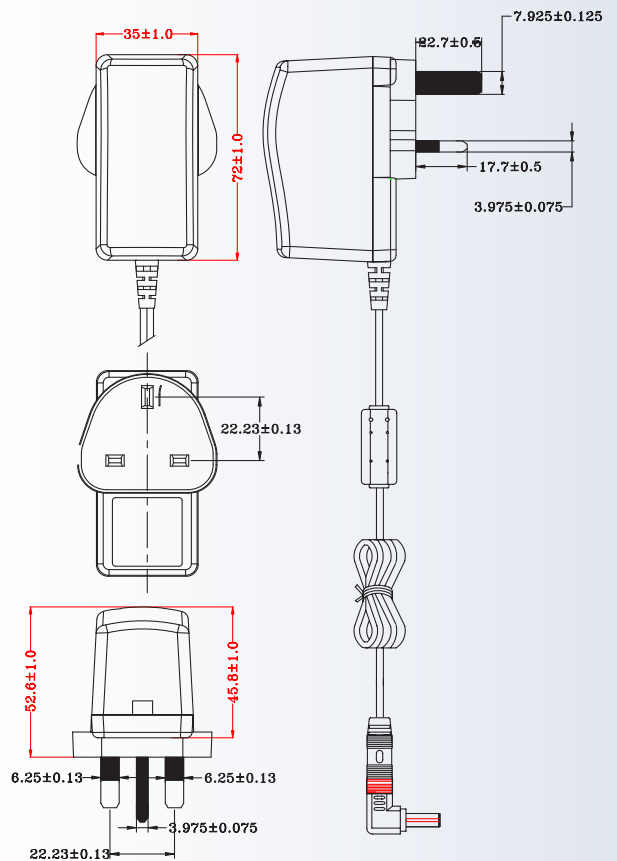


Case Drawings:

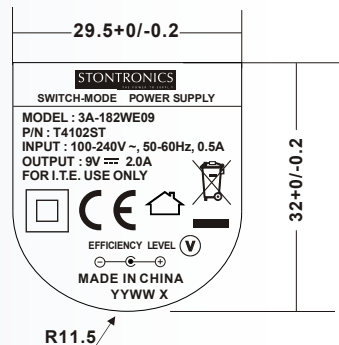
- 80x35x54.8



- 72x47.6x35:



Example Label:



Stontronics Ltd

Chancerygate Business Centre, Cradock Road, Reading, Berkshire, RG2 0AH.

Tel: +44 (0) 118 931 1199 • Fax: +44 (0) 118 931 1145 • Email: info@stontronics.co.uk • Web: www.stontronics.co.uk

Please Note: Image shown is representative of entire range. Individual PSU image &/or drawings or data sheets available on request.

Stontronics Ltd accepts no responsibility for typographical errors in the production of this leaflet. Product specifications are subject to change without notice.