



### Features:

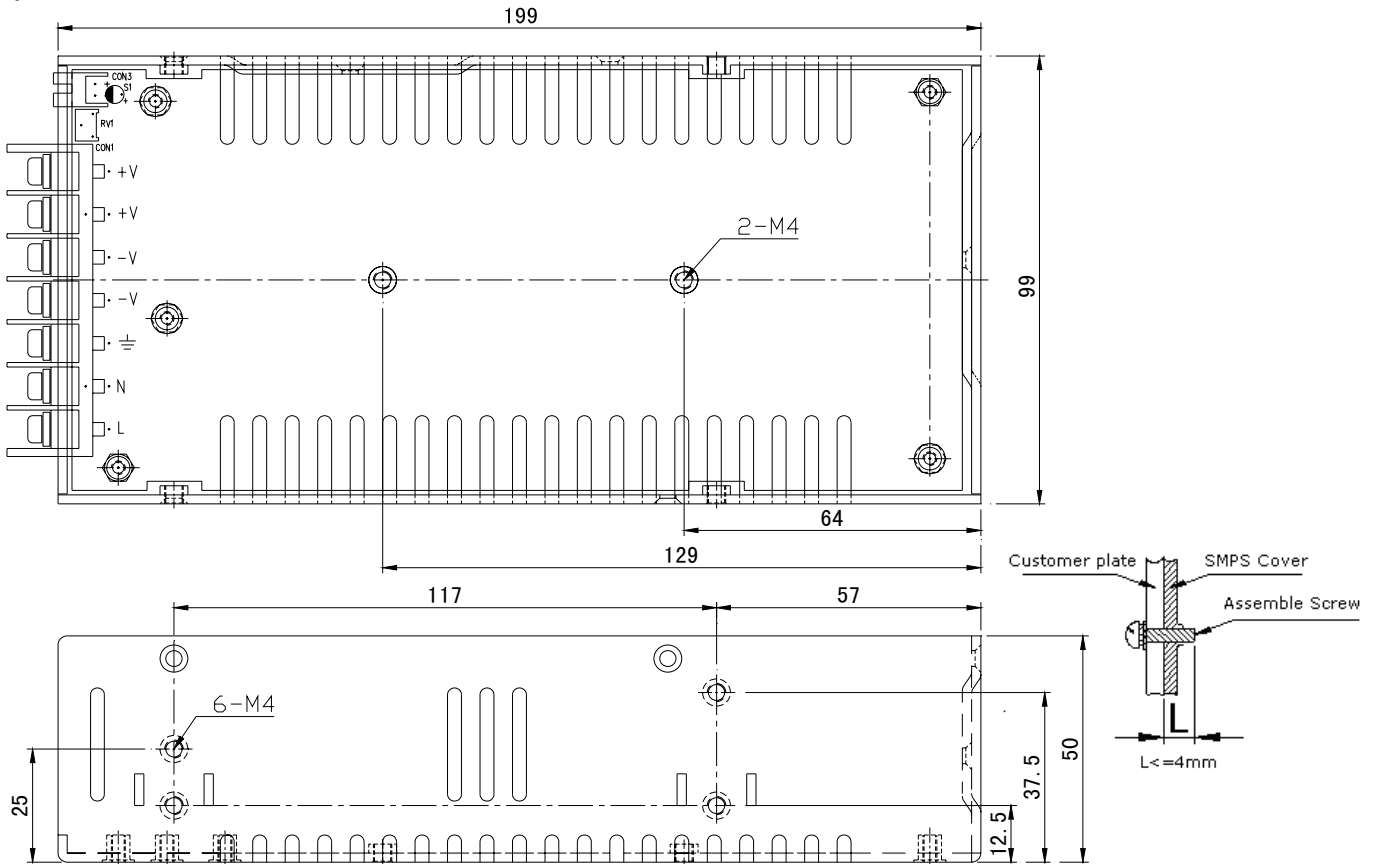
- Universal AC input/ Full range
- Built-in active PFC function, PF>0.95
- High Efficiency, and High reliability
- Output protections: OLP/OTP/OVP/SCP
- All using 105°C long life electrolytic capacitors.
- 100% full load burn-in test
- 3 years warranty

### SPECIFICATION

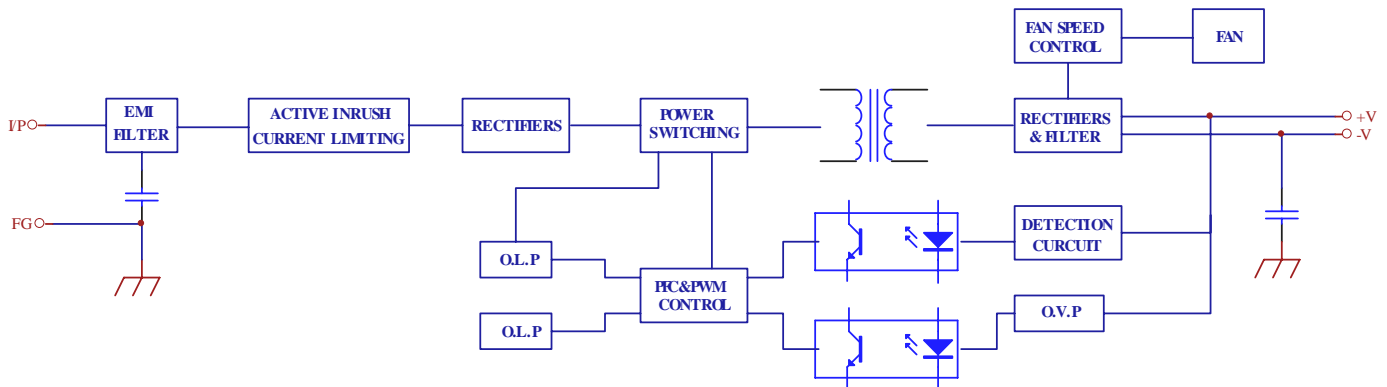
MODEL		PDF-200-5	PDF-200-12	PDF-200-15	PDF-200-24	PDF-200-48	
OUTPUT	DC Output	5.0V	12V	15V	24V	48V	
	Rated Current	40A	16.7A	13.4A	8.4A	4.2A	
	Current Range	0~40A	0~16.7A	0~13.4A	0~8.4A	0~4.2A	
	Ripple and Noise Note 2	<100mV	<100mV	<100mV	<150mV	<200mV	
	Voltage ADJ. Range	4.6V~5.6V	11.2V~13.4V	14.0V~16.6V	22.0V~26.7V	45.0V~52.9V	
	Voltage Accuracy	±2.0%	±2.0%	±2.0%	±1.0%	±1.0%	
	Line Regulation	±0.5%	±0.5%	±0.5%	±0.5%	±0.5%	
	Load Regulation	±1.0%	±0.5%	±0.5%	±0.5%	±0.5%	
	Set-up Time	<2.0S (230Vac input, Full load)					
	Hold up Time	>20mS(230Vac input, Full load)					
	Temperature Coefficient	±0.05%/°C					
	Overshoot and Undershoot	<5.0%					
INPUT	Voltage Range	90Vac~264Vac, 127Vdc~370Vdc					
	Frequency Range	47Hz~63Hz					
	Power Factor(Typical)	PF > 0.98/115VAC PF > 0.95/230VAC					
	Efficiency ( Typical)	115Vacinput	72%	77%	79%	79%	80%
		230Vacinput	75%	81%	83%	83%	84%
	AC Current (max.)	3.5A/115VAC 1.7A/230VAC					
	Inrush Current (Typical)	<50A@230Vac <30A@115Vac Cold start					
Leakage Current	Input—output:<0.25mA Input—PG:<3.5mA						
PROTECTION	Over Load	105%~140% of rated output current, Hiccup mode, auto recovery					
	Over Temperature	95°C±5°C (detect on heatsink of power transistor); shut down, auto recover after the temperature goes down					
	Over Voltage	105%~150% of rated output voltage, shut down					
	Short Circuit	Long-term mode, auto recovery					
ENVIRONMENT	Operating amb. Temp. & Hum.	-10°C~60°C; 20%~90%RH No condensing(refer to the derating curve)					
	Storage Temp. & Hum.	-20°C~85°C; 10%~95%RH No condensing					
SAFETY & EMC (Note 3)	Safety Standards	UL60950-1; EN60950-1: 2006					
	Withstand Voltage	Primary-Secondary:3.0KVac; ≤10mA .Primary-PG:1.5KVac; ≤10mA. Secondary-PG:0.5KVDC; ≤10mA.					
	Isolation Resistance	≥100M ohms					
	EMI Conduction&Radiation	Compliance to EN55022(CISPR22)ClassB					
	Harmonic Current	Compliance to EN61000-3-2,17625.1-2003					
EMC Immunity	Compliance to EN61000-4-2,3,4,5,6,8,11; ENV50204, light industry level, criteriaA						
OTHERS	MTBF (MIL-HDBK-217F)	More than 200,000Hrs (25°C, Full load)					
	Dimension (L*W*H)	199×99×50mm					
	Packing	12PCS/CTN, 11.3KGS, 0.037CBM					
	Cooling method	Cooling by forced air (built-in DC fan)					
NOTE	<ol style="list-style-type: none"> <li>1. All parameters NOT specially mentioned are measured at rated input, rated load and 25°C of ambient temperature.</li> <li>2. Measured at 20MHz of bandwidth by using a 12" twisted pair-wire terminated with a 0.1 uF &amp; 47uF parallel capacitor.</li> <li>3. The SPS is considered a component which will be installed into final equipment. The equipment must be re-confirmed that it still meets EMC directives.</li> <li>4. We offer accessories for Din-35 rail bar. Please contact sales staff for details.</li> </ol>						

### Mechanical Specification

unit:mm



### Block Diagram



### Derating Curve

