

AC-DC Regulated Adaptors (Plugtop & Desktop Configurations)

Features

- 230Vac Mains Input Voltage only
- Mains Vac to low voltage DC converter/adaptor
- Attractive black plastic case
- Regulated DC output voltage
- UK, Euro and Desktop configurations from stock
- 1.8Meter O/P lead (majority of units)
- 2.1mm C+ve or multipack O/P plugs
- 1 Year Warranty



Product Selection Chart with electrical specifications

UK Plug Range										
Part Number	Voltage (On load)	Voltage (Off Load)	Current	Insulation (@500VDC)	Hi-Pot Test (IP-OP)	Magnetising Current	Thermal Fuse	O/P Connector	Case Size.	Weight (Kg)
S2088ST	5Vdc	5.1Vdc	300mA	100Mohm.	4200Vac	50mA	130°C	6-pack	EI-41	0.36
T2593ST	5Vdc	5.1Vdc	300mA	100Mohm.	4200Vac	50mA	130°C	2.1 C+ve	EI-41	0.35
T2526ST	5Vdc	5.1Vdc	1000mA	100Mohm.	3750Vac	60mA	130°C	2.1 C+ve	EI-48	0.53
S2226ST	5Vdc	5.1Vdc	1000mA	100Mohm.	3750Vac	60mA	130°C	6-pack	EI-48	0.55
S2249ST	6Vdc	6Vdc	800mA	100Mohm	3750Vac	40mA	130°C	6-pack	EI-48	0.54
S2062ST	9Vdc	9Vdc	500mA	100Mohm	3750Vac	60mA	130°C	6-pack	EI-48	0.54
S2092ST	12Vdc	12.2Vdc	300mA	100Mohm	3750Vac	50mA	130°C	6-pack	EI-41	0.37
S2171MN	12Vdc	12.2Vdc	300mA	100Mohm	3750Vac	60mA	125°C	2.1 C+ve	92x56x75mm	0.36
S2147ST	12Vdc	12Vdc	500mA	100Mohm	4200Vac	55mA	130°C	6-pack	EI-48	0.54
T3665ST	12Vdc	12Vdc	500mA	100Mohm	3750Vac	60mA	125°C	R/A 2.1 C+ve	92x56x84mm	0.37
S2140ST	15Vdc	14.9Vdc	500mA	100Mohm	3750Vac	50mA	130°C	6-pack	EI-48	0.55
T2348ST	18Vdc	18Vdc	500mA	100Mohm	3750Vac	50mA	130°C	6-pack	EI-48	0.55
T3488ST	24Vdc	24Vdc	400mA	100Mohm	4200Vac	50mA	130°C	2.1 C+ve	EI-48	0.52

Euro Plug Range										
Part Number	Voltage (On load)	Voltage (Off Load)	Current	Insulation (@500VDC)	Hi-Pot Test	Magnetising Current	Thermal Fuse	O/P Connector	Case Size.	Unit Weight
T3489ST	5Vdc	5Vdc	300mA	100Mohm	4200Vac	45mA	130°C	2.1 C+ve	EI-41	0.32
T3182ST	5Vdc	5.1Vdc	1000mA	100Mohm	3750Vac	60mA	130°C	2.1 C+ve	EI-48	0.51
T3183ST	12Vdc	12Vdc	300mA	100Mohm	4200Vac	45mA	130°C	2.1 C+ve	EI-41	0.32
T3184ST	24Vdc	24.3Vdc	400mA	100Mohm	3750Vac	50mA	130°C	2.1 C+ve	EI-48	0.50

Desktop (with flying-leads) Range										
Part Number	Voltage (On load)	Voltage (Off Load)	Current	Insulation (@500VDC)	Hi-Pot Test	Magnetising Current	Thermal Fuse	O/P Connector	Case Size.	Unit Weight
S2136ST	12Vdc	12.13Vdc	500mA	100Mohm	3750Vac	50mA	130°C	6-pack	EI-48 (105)	0.64
S2266ST	12Vdc	12Vdc	1000mA	100Mohm	4200Vac	45mA	130°C	6-pack	EI-66 (130)	1.26



Stontronics Ltd

Chancerygate Business Centre, Cradock Road, Reading, Berkshire, RG2 0AH.

Tel: +44 (0) 118 931 1199 • Fax: +44 (0) 118 931 1145 • Email: info@stontronics.co.uk • Web: www.stontronics.co.uk

Please Note: Image shown is representative of entire range. Individual PSU image &/or drawings or data sheets available on request.

Stontronics Ltd accepts no responsibility for typographical errors in the production of this leaflet. Product specifications are subject to change without notice.

AC-DC Regulated Adaptors (Plugtop & Desktop Configurations)

More Information

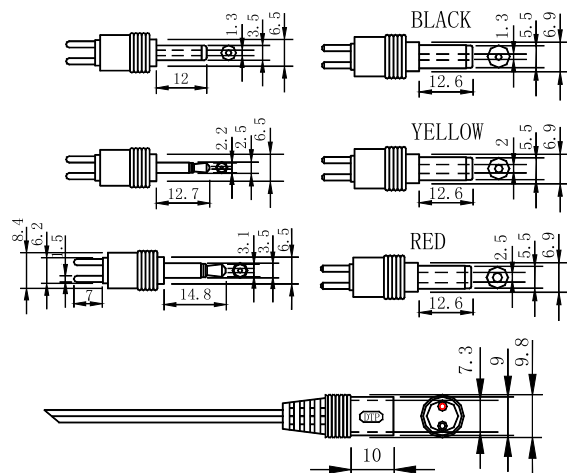
Our AC-DC UK & Euro Plugtop and Desktop Adaptors are high quality and high reliability units which operate in Europe and countries running 230VAC 50Hz mains voltage. As standard they come in a black plastic case but this along with many other features can be modified for a custom order for very specific individual customer requirements. These units are manufactured in China and comply with EN60950-1, CE, EMC and safety requirements.

Please Note: Many AC-DC adaptors are not very energy efficient and can not meet Level IV and V energy efficiency requirements as set out in European law, however there are many exemptions. Please make sure you bear this in mind when you design new products and consider our range of AC-DC switch-mode power supplies instead.

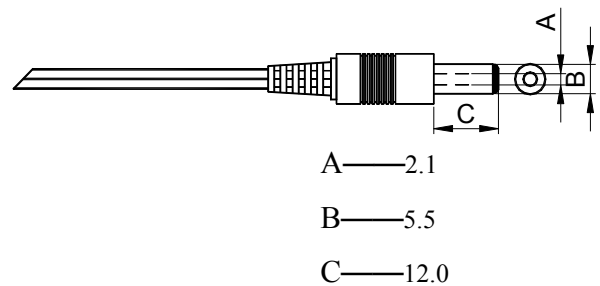
More Information

O/P Plug Configurations

• 6-Pack Set Details:

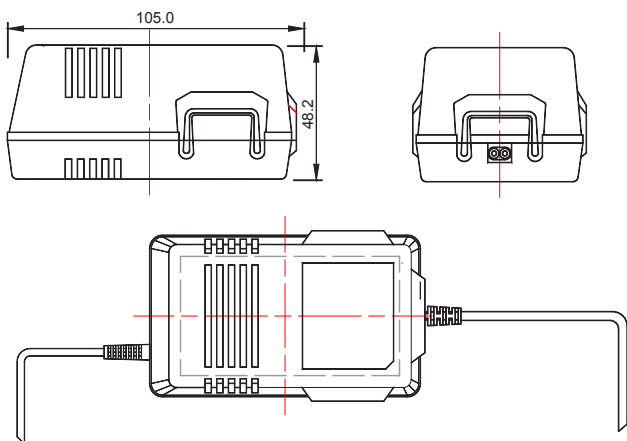


• 2.1 x 5.5 x 12mm Details:

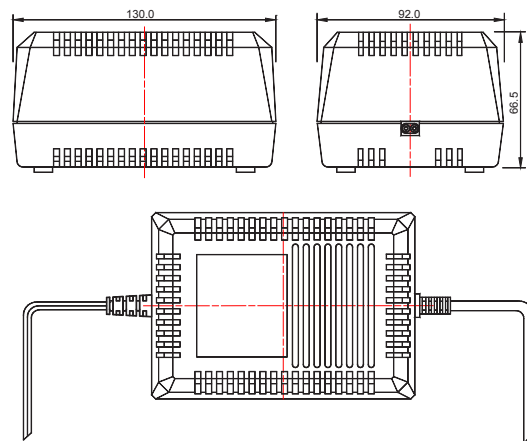


Desktop Drawings

• EI-48 (105):



• EI-66 (130):



Stontronics Ltd

Chancerygate Business Centre, Cradock Road, Reading, Berkshire, RG2 0AH.

Tel: +44 (0) 118 931 1199 • Fax: +44 (0) 118 931 1145 • Email: info@stontronics.co.uk • Web: www.stontronics.co.uk

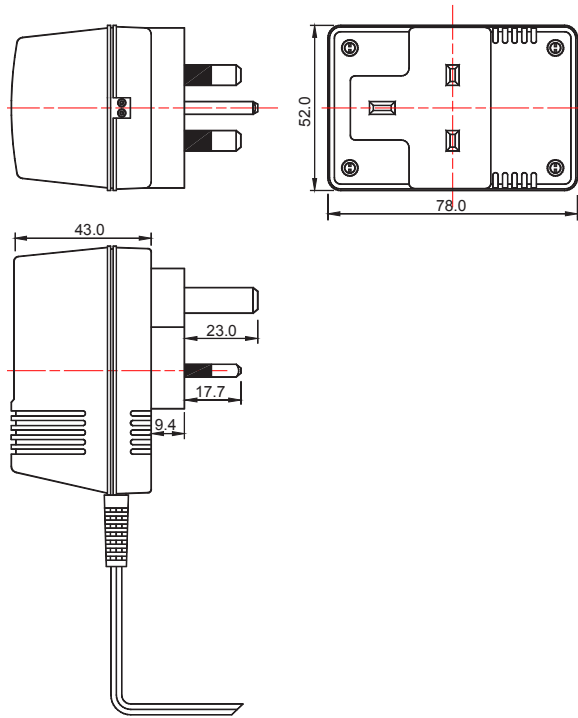
Please Note: Image shown is representative of entire range. Individual PSU image &/or drawings or data sheets available on request.

Stontronics Ltd accepts no responsibility for typographical errors in the production of this leaflet. Product specifications are subject to change without notice.

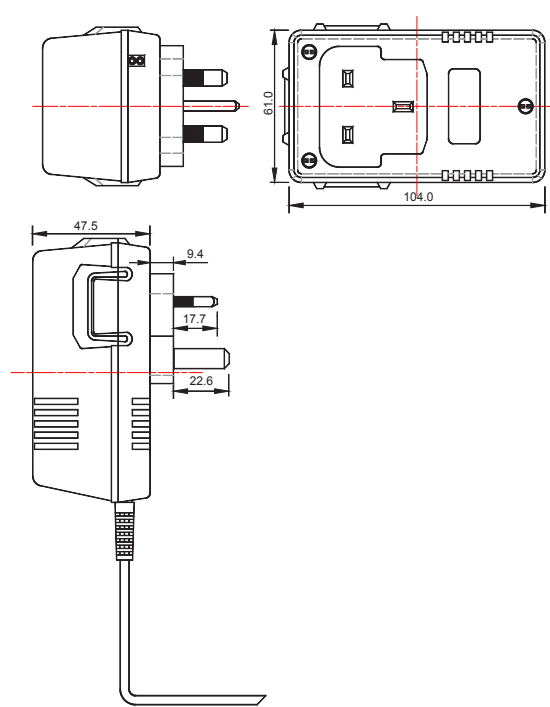
AC-DC Regulated Adaptors (Plugtop & Desktop Configurations)

UK & Euro Plugtop Drawings

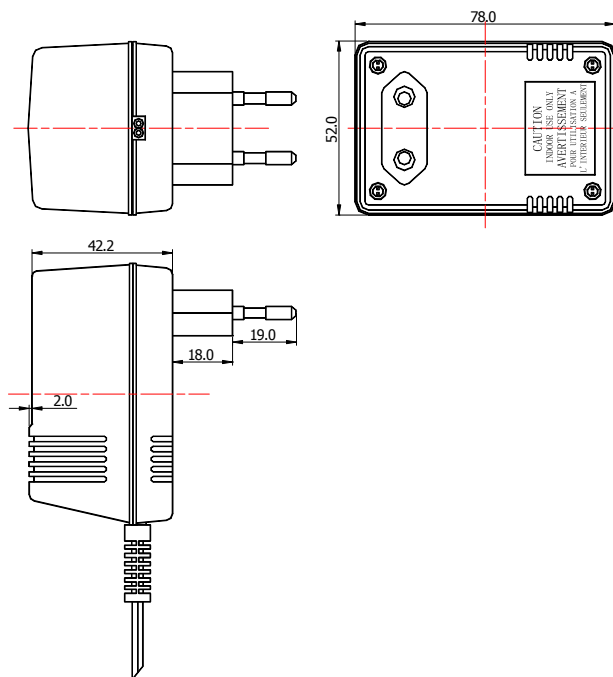
• EI-41-UK:



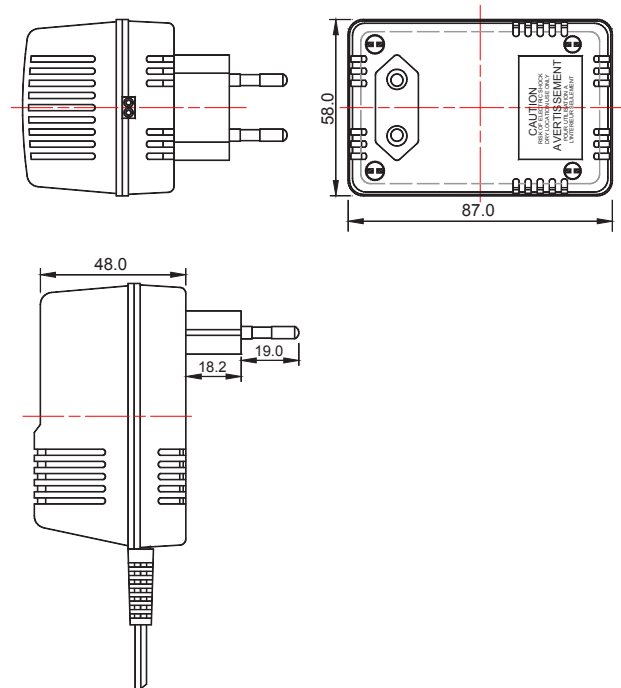
• EI-48-UK:



• EI-41-EU:



• EI-48-EU:



Stontronics Ltd

Chancerygate Business Centre, Cradock Road, Reading, Berkshire, RG2 0AH.

Tel: +44 (0) 118 931 1199 • Fax: +44 (0) 118 931 1145 • Email: info@stontronics.co.uk • Web: www.stontronics.co.uk

Please Note: Image shown is representative of entire range. Individual PSU image &/or drawings or data sheets available on request.

Stontronics Ltd accepts no responsibility for typographical errors in the production of this leaflet. Product specifications are subject to change without notice.