

RD-50 series

50W Dual Output Switching Power Supply

STONTRONICS

THE POWER TO SUPPLY



Features :

- Universal AC input / Full range
- Protections: Short circuit/Over load/Over voltage
- Cooling by free air convection
- LED indicator for power on
- 100% full load burn-in test
- All using 105°C long life electrolytic capacitors
- Withstand 300VAC surge input for 5 second
- High operating temperature up to 70°C
- Withstand 5G vibration test
- High efficiency, long life and high reliability
- 3 years warranty

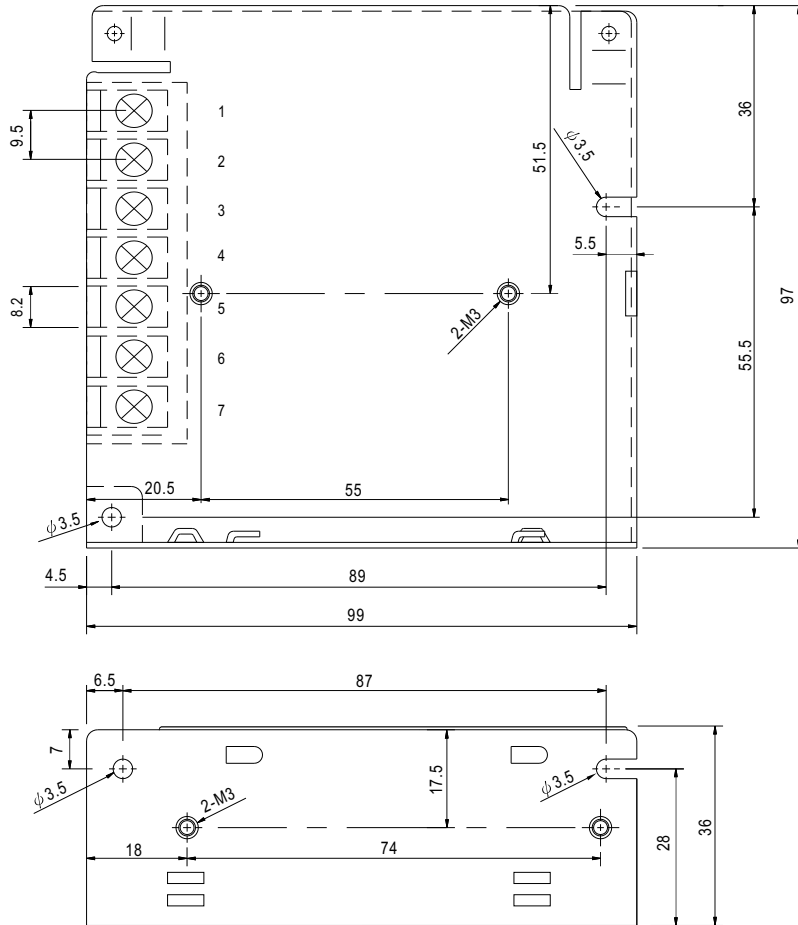


SPECIFICATION

| MODEL | RD-50A | | RD-50B | | |
|-----------------------|---|---|--|------------------|----------|
| OUTPUT | OUTPUT NUMBER | CH1 | CH2 | CH1 | CH2 |
| | DC VOLTAGE | 5V | 12V | 5V | 24V |
| | RATED CURRENT | 6A | 2A | 4A | 1.4A |
| | CURRENT RANGE | 0.3 ~ 6A | 0.3 ~ 3A | 0.3 ~ 6A | 0.2 ~ 2A |
| | RATED POWER | 54W | | 53.6W | |
| | RIPPLE & NOISE (max.) Note.2 | 80mVp-p | 120mVp-p | 80mVp-p | 150mVp-p |
| | VOLTAGE ADJ. RANGE | CH1: 4.75 ~ 5.5V | | CH1: 4.75 ~ 5.5V | |
| | VOLTAGE TOLERANCE Note.3 | ±2.0% | ±7.0% | ±2.0% | -4,+8% |
| | LINE REGULATION Note.4 | ±0.5% | ±1.5% | ±0.5% | ±1.5% |
| | LOAD REGULATION Note.5 | ±0.5% | ±3.0% | ±0.5% | ±3.0% |
| | SETUP, RISE TIME | 500ms, 20ms/230VAC 1200ms, 30ms/115VAC at full load | | | |
| HOLD TIME (Typ.) | 60ms/230VAC | 14ms/115VAC at full load | | | |
| INPUT | VOLTAGE RANGE | 88 ~ 264VAC | 125 ~ 373VDC (Withstand 300VAC surge for 5sec. Without damage) | | |
| | FREQUENCY RANGE | 47 ~ 63Hz | | | |
| | EFFICIENCY(Typ.) | 79% | 80% | | |
| | AC CURRENT (Typ.) | 1.3A/115VAC | 0.8A/230VAC | | |
| | INRUSH CURRENT (Typ.) | COLD START 33A/230VAC | | | |
| | LEAKAGE CURRENT | <2mA / 240VAC | | | |
| PROTECTION | OVER LOAD | 110 ~ 150% rated output power Protection type : Hiccup mode, recovers automatically after fault condition is removed | | | |
| | OVER VOLTAGE | CH1: 5.75 ~ 6.75V Protection type : Hiccup mode, recovers automatically after fault condition is removed | | | |
| ENVIRONMENT | WORKING TEMP. | -25 ~ +70°C (Refer to output load derating curve) | | | |
| | WORKING HUMIDITY | 20 ~ 90% RH non-condensing | | | |
| | STORAGE TEMP., HUMIDITY | -40 ~ +85°C, 10 ~ 95% RH | | | |
| | TEMP. COEFFICIENT | ±0.03%/°C (0 ~ 50°C) on +5V output | | | |
| | VIBRATION | 10 ~ 500Hz, 5G 10min./1cycle, period for 60min. each along X, Y, Z axes | | | |
| SAFETY & EMC (Note 6) | SAFETY STANDARDS | UL60950-1, TUV EN60950-1 Approved | | | |
| | WITHSTAND VOLTAGE | I/P-O/P:3KVAC I/P-FG:1.5KVAC O/P-FG:0.5KVAC | | | |
| | ISOLATION RESISTANCE | I/P-O/P, I/P-FG, O/P-FG:100M Ohms/500VDC | | | |
| | EMI CONDUCTION & RADIATION | Compliance to EN55022 (CISPR22) Class B | | | |
| | HARMONIC CURRENT | Compliance to EN61000-3-2,-3 | | | |
| | EMS IMMUNITY | Compliance to EN61000-4-2,3,4,5,6,8,11; ENV50204, EN61000-6-2 (EN50082-2) heavy industry level, criteria A | | | |
| OTHERS | MTBF | 172.6Khrs min. MIL-HDBK-217F (25°C) | | | |
| | DIMENSION | 99*97*36mm (L*W*H) | | | |
| | PACKING | 0.41Kg; 45pcs/19.5Kg/0.9CUFT | | | |
| NOTE | <ol style="list-style-type: none"> 1. All parameters NOT specially mentioned are measured at 230VAC input, rated load and 25°C of ambient temperature. 2. Ripple & noise are measured at 20MHz of bandwidth by using a 12" twisted pair-wire terminated with a 0.1uF & 47uF parallel capacitor. 3. Tolerance : includes set up tolerance, line regulation and load regulation. 4. Line regulation is measured from low line to high line at rated load. 5. Load regulation is measured from 0% to 100% rated load. 6. The power supply is considered a component which will be installed into a final equipment. The final equipment must be re-confirmed that it still meets EMC directives. | | | | |

■ Mechanical Specification

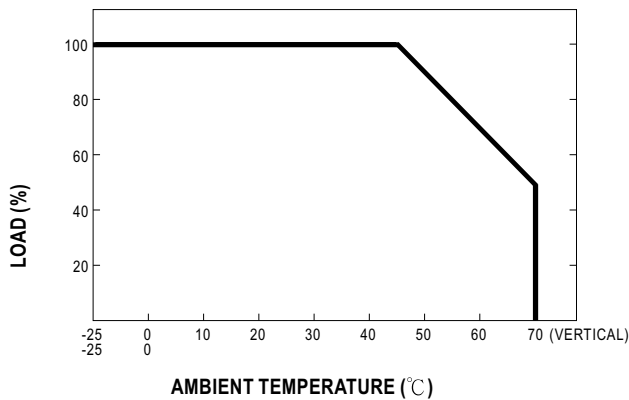
Case No. 905B Unit:mm



Terminal Pin. No Assignment

| Pin No. | Assignment | Pin No. | Assignment |
|---------|------------|---------|---------------|
| 1 | AC/L | 4,6 | DC OUTPUT COM |
| 2 | AC/N | 5 | DC OUTPUT +V2 |
| 3 | FG \perp | 7 | DC OUTPUT +V1 |

■ Derating Curve



■ Output Derating VS Input Voltage

