



Features:

- Universal / Full range AC input
- 3 pole IEC320-C14 (kettle) inlet
- Class I power (with earth pin)
- Fully enclosed attractive plastic case
- LED-ON indicator
- Cost effective and high reliability
- Protections: Over Voltage, Short circuit & Over Temp.
- Approvals: GS, UL/cUL, FCC & CE
- Level V ErP/EuP efficiency compliant
- MTBF >50,000 hours
- 1 Year Warranty



Output Characteristics			
Part Number	T3241ST	T3837ST	T4833ST
Voltage	12Vdc	12Vdc	24Vdc
Current Max.	3.5A	3.5A	1.75A
Current Min.	0A	0A	0A
Power (watts)	42W	42W	42W
Line Regulation	+/- 2%	+/- 2%	+/- 2%
Voltage Tolerance	+/- 5%	+/- 5%	+/- 5%
Ripple & Noise (mV p-p)	120mV	120mV	240mV
Protections	Over Current: Built-in limit with auto-recovery function. Over Voltage: The output voltage shall be clamped by internal protection zener. Short Circuit: Output shut down and auto restart. Temperature: No ignition, smoke or deformation of the case. Open Circuit: No damage to components and no hazardous conditions induced.		
Case Size (See below)	118.5 x 48.5 x 35	118.5 x 48.5 x 35	118.5 x 48.5 x 35
Weight (approx.)	270g	270g	270g
DC Cord	1.8 Metre	1.8 Metre	1.8 Metre
DC Plug (mm)	Straight 2.1 C+ve	Right-Angle 2.1 C+ve	Straight 2.1 C+ve
Input Characteristics			
Rated Input Voltage	100-240Vac		
Full Input Voltage Range	90-264Vac		
Rated Frequency	50-60Hz		
Full Frequency Range	47-63Hz		
Efficiency (min.)	85.6%	85.6%	85.6%
Input Current (Max.)	1.2 A	1.2 A	1.2 A
Inrush Current:	No damage shall occur and the input fuse will not be blown		
Leakage Current	3.5mA	3.5mA	3.5mA
Input Power (no load)	<0.3W Max. (Level V ErP/EuP/CEC Compliant)		
AC Mains Inlet Plug	IEC320/C14 type (also known as IEC or Kettle)		
Safety, Mechanical and Other Characteristics			
Range Model Designation	DSA-42D		
Hi-Pot Specification	1500Vac or 2121Vdc 10mA 1 min. (Primary to Secondary)		
GND Continuity Test	25A for 1 minutes, 100mΩ maximum (Primary inlet F.G to Secondary GND)		
Insulation Resistance	Insulation resistance shall be more than 100MΩ at 500Vdc between Primary Live, Neutral line and secondary		
Operating Temperature	0°C to 40°C		
Storage Temperature	-20°C to 80°C		
Operating Humidity	20% to 85%		
Storage Humidity	5% to 95%		
Safety Approvals	Meet UL/C-UL (UL60950-1), TUV-GS (EN60950-1), T-LICENSE (BS EN60950-1)		
EMI Standards	Meet FCC(PART 15 Class B), CE(EN55022)		
PB-free	Yes. RoHS Compliant		
MTBF	50K Hours (mean time before failure)		



Stontronics Ltd

Chancerygate Business Centre, Cradock Road, Reading, Berkshire, RG2 0AH.

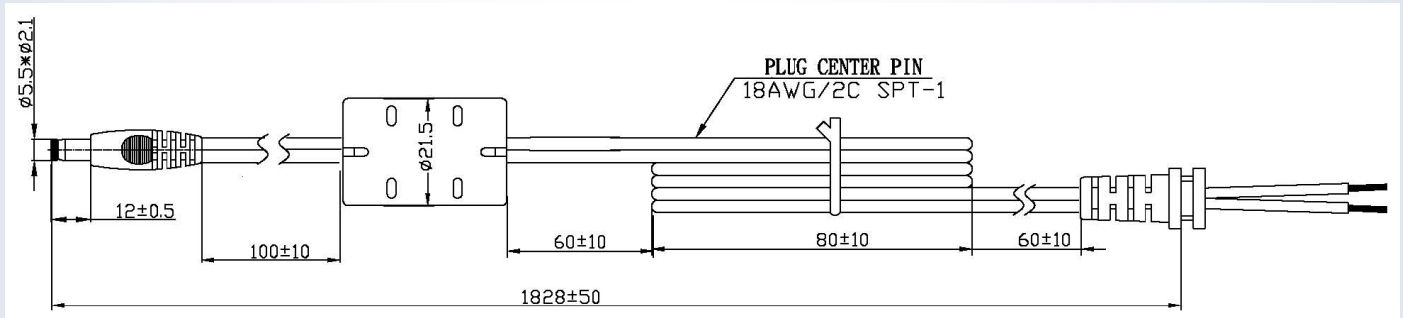
Tel: +44 (0) 118 931 1199 • Fax: +44 (0) 118 931 1145 • Email: info@stontronics.co.uk • Web: www.stontronics.co.uk

Please Note: Image shown is representative of entire range. Individual PSU image &/or drawings or data sheets available on request.

Stontronics Ltd accepts no responsibility for typographical errors in the production of this leaflet. Product specifications are subject to change without notice.

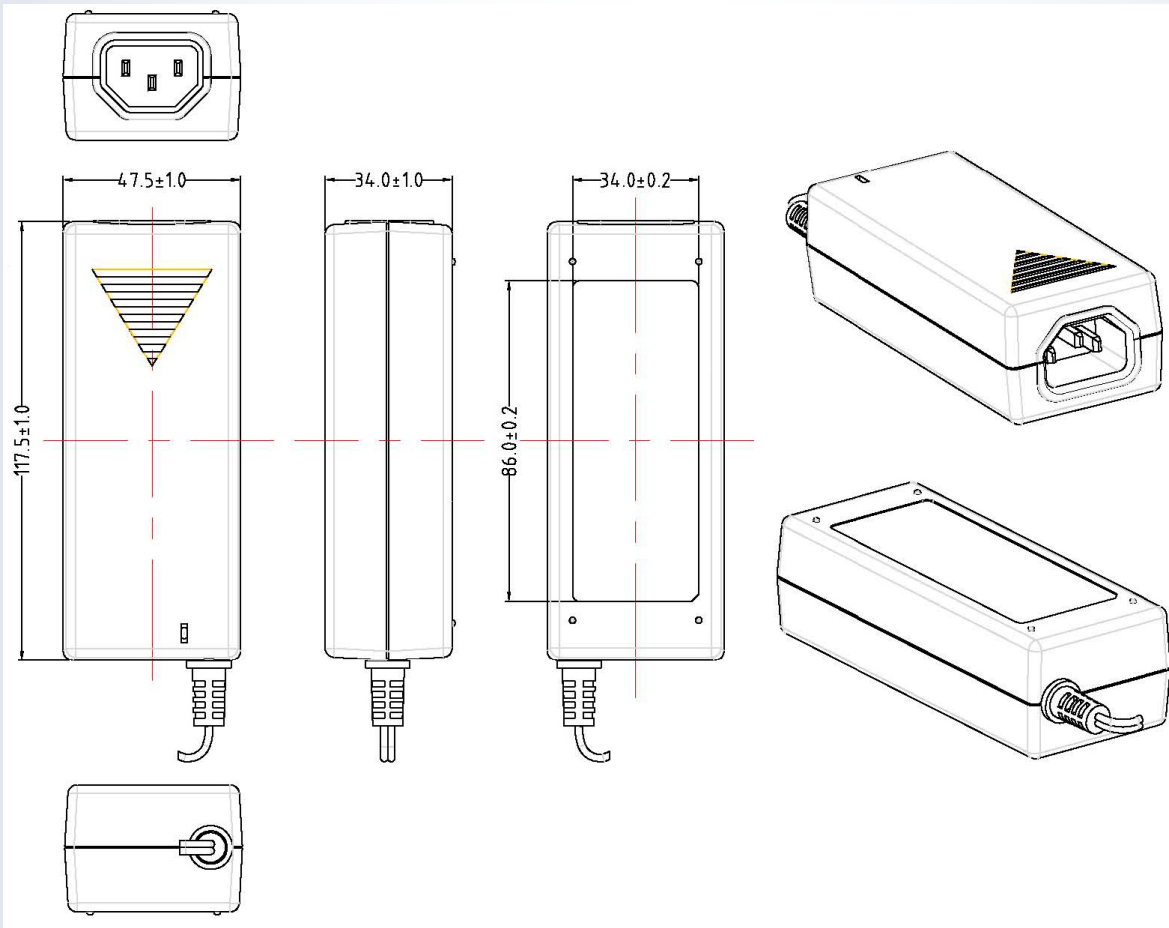
DC Plug & Lead Drawing

- Straight 1.8M DC Lead:

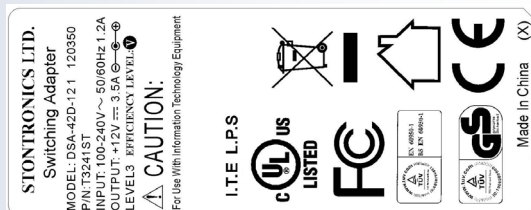


Case Drawings

- 118.5 x 48.5 x 35mm:



Example Spec Label:



Stontronics Ltd

Chancerygate Business Centre, Cradock Road, Reading, Berkshire, RG2 0AH.

Tel: +44 (0) 118 931 1199 • Fax: +44 (0) 118 931 1145 • Email: info@stontronics.co.uk • Web: www.stontronics.co.uk

Please Note: Image shown is representative of entire range. Individual PSU image &/or drawings or data sheets available on request.

Stontronics Ltd accepts no responsibility for typographical errors in the production of this leaflet. Product specifications are subject to change without notice.