



Note:

T4113ST, T4114ST & T4115ST : Fixed EU Plug

T4107ST, T4108ST & T4109ST : Fixed UK Plug

## Features:

- Universal / Full range AC input
- Fitted with 2.1 C+ve DC jack plug
- Class II power (no earth)
- Small & Compact UK & EU Plug design
- Switch-mode power supply
- Cost effective and high reliability
- Protections: Over Voltage, Short circuit & Over Temp.
- Approvals: GS, UL/cUL & CE
- Level V ErP/EuP efficiency compliant
- MTBF >50,000 hours
- 1 Year Warranty



### Output Characteristics

Part Number	T4108ST	T4113ST*	T4109ST	T4114ST	T4107ST	T4115ST*
Voltage	5Vdc	5Vdc	9Vdc	9Vdc	12Vdc	12Vdc
Current Max.	1A	1A	0.55A	0.55A	0.42A	0.42A
Current Min.	0A	0A	0A	0A	0A	0A
Power (watts)	5W	5W	5W	5W	5W	5W
Line Regulation	+/-3%	± 1%	± 1%	± 1%	± 1%	± 1%
Voltage Tolerance	+/-5%	± 5%	± 5%	± 5%	± 5%	± 5%
Ripple & Noise (mV p-p)	150mV	100mV	100mV	100mV	120mV	120mV
Protections	Over Voltage: Protect through primary circuit IC / or output voltage shall be clamped by internal protection zener Short Circuit: Output shut down and auto restart Temperature: No ignition, smoke or deformation of the case					
Case Size (See below) mm	54.2x32.7x30.5	62x29x60	56.7x51.5x26.7	56.8x39x26	56.7x51.5x26.7	62x29x60
Weight (approx.)	120g	85g	120g	120g	120g	80g
DC Cord	1.5Metre	1.5Metre	1.5Metre	1.5Metre	1.5Metre	1.5Metre
DC Plug (mm)	R-A 2.1 C+ve	R-A 2.1 C+ve	R-A 2.1 C+ve	R-A 2.1 C+ve	R-A 2.1 C+ve	R-A 2.1 C+ve

\* Upgrade to Level V efficiency pending

### Input Characteristics

Rated Input Voltage	100-240Vac					
Full Input Voltage Range	90-264Vac					
Rated Frequency	50-60Hz					
Full Frequency Range	47-63Hz					
Efficiency (min.)	68.3%	64.5%	60%	60%	60%	64.5%
Input Current (RMS Max.)	300mA	200mA	300mA	500mA	300mA	200mA
Inrush Current 115Vac:	30A Max.	15A Max.	30A Max.	30A Max.	30A Max.	15A Max.
230Vac:	60A Max.	30A Max.	75A Max.	75A Max.	75A Max.	30A Max.
Leakage Current	0.1mA	0.25mA	N/A	N/A	N/A	0.25mA
Input Power (no load)	<0.3W Max. (Level V ErP/EuP/CEC Compliant)					
Fixed AC Plug	UK	Euro	UK	Euro	UK	Euro

### Safety, Mechanical and Other Characteristics

Range Model Designations	3A-055WE, 3A-041WT & SAW-0XXXXX-XX (specified individually on each product label)
Hi-Pot Specification	3000Vac or 4242Vdc 10mA 1Min. (I.P. to O.P.)
Insulation Resistance	500Vdc to test the I.P.-O.P resistance not less than 100Mohm (I.P. to O.P.)
Operating Temperature	0°C to 40°C
Storage Temperature	-10°C to 70°C
Operating Humidity	20% to 80%
Storage Humidity	10% to 90%
Safety Approvals	GS & CE
EMI Standards	EN55022 B
PB-free	Yes. RoHS Compliant
MTBF	50K Hours (mean time before failure)



## Stontronics Ltd

Chancerygate Business Centre, Cradock Road, Reading, Berkshire, RG2 0AH.

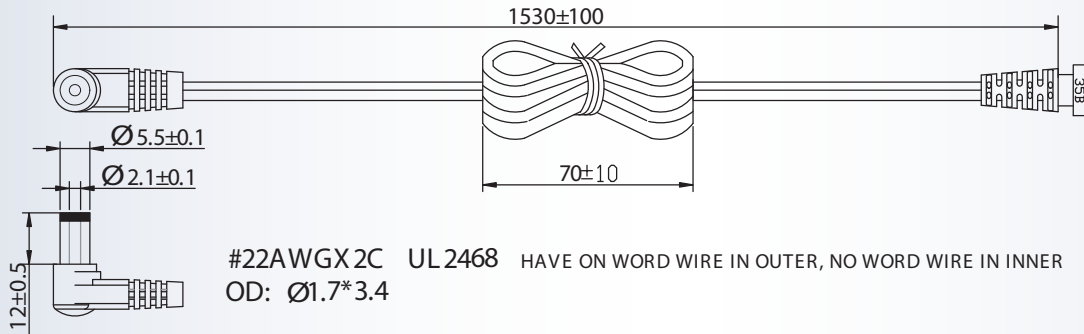
Tel: +44 (0) 118 931 1199 • Fax: +44 (0) 118 931 1145 • Email: info@stontronics.co.uk • Web: www.stontronics.co.uk

Please Note: Image shown is representative of entire range. Individual PSU image &/or drawings or data sheets available on request.

Stontronics Ltd accepts no responsibility for typographical errors in the production of this leaflet. Product specifications are subject to change without notice.

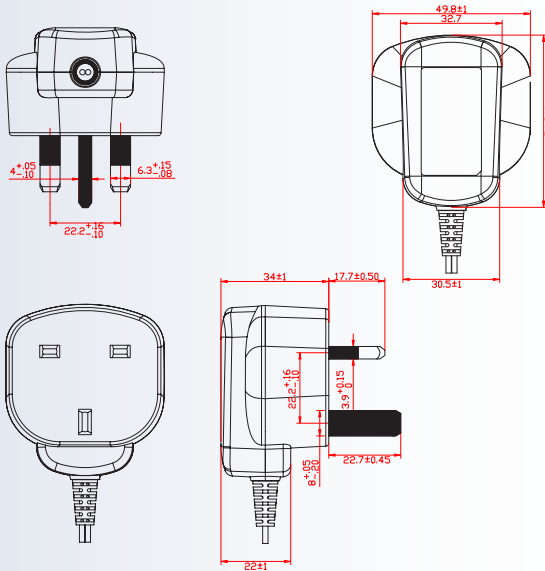
## DC Plug & Lead Drawing:

- 1.5M DC Lead:

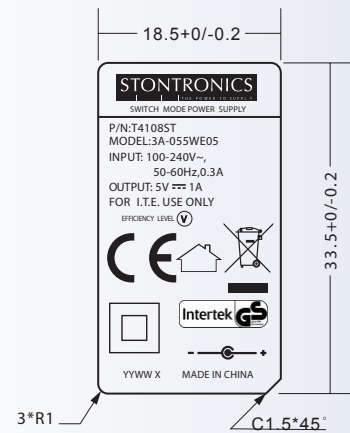


## Case Drawings:

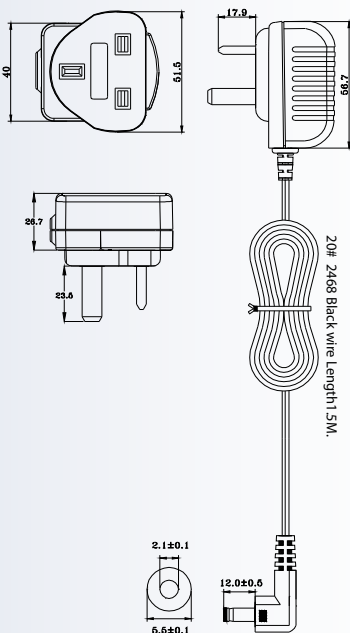
- T4108ST:



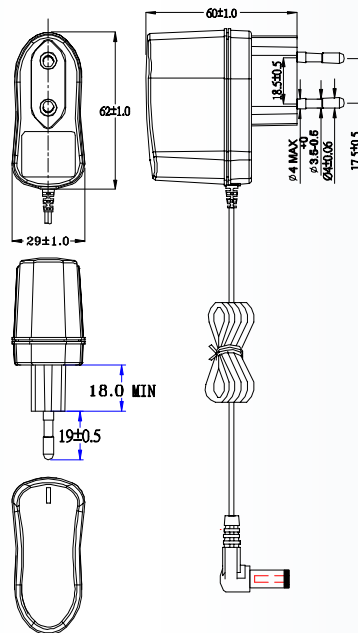
## Example Label:



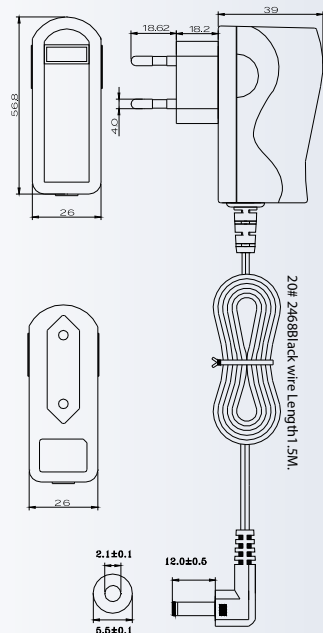
- T4107ST & T4109ST:



- T4113ST & T4115ST:



- T4114ST:



## Stontronics Ltd

Chancerygate Business Centre, Cradock Road, Reading, Berkshire, RG2 0AH.

Tel: +44 (0) 118 931 1199 • Fax: +44 (0) 118 931 1145 • Email: info@stontronics.co.uk • Web: www.stontronics.co.uk

Please Note: Image shown is representative of entire range. Individual PSU image &/or drawings or data sheets available on request.

Stontronics Ltd accepts no responsibility for typographical errors in the production of this leaflet. Product specifications are subject to change without notice.