

Features:

- Universal / Full range AC input
- Versatile Plug & Go / World Traveller design - global potential.
- Class II power (no earth)
- Small & Compact design
- Cost effective and high reliability
- Protections: Over Voltage, Short circuit & Over Temp.
- Approvals: GS, UL/cUL & CE
- Level V ErP/EuP efficiency compliant
- MTBF >50,000 hours
- 1 Year Warranty



Output Characteristics		
Part Number	T3621ST	T3620ST
Voltage	12Vdc	12Vdc
Current Max.	1A	2A
Current Min.	0A	0A
Power (watts)	12W	24W
Line Regulation	+/- 2 %	+/- 2 %
Total Output Regulation	+/- 5 %	+/- 5 %
Ripple & Noise (mV p-p)	180mV	300mV
Protections	Over Current: There will be no safety hazard in this condition Short Circuit: The adapter shall not be damaged by short the DC output to Ground. Temperature: No ignition, smoke or deformation of the case	
Case Size (See below) mm	79 x 55.4 x 37	85 x 50 x 40
Weight (approx.)	150g	250g
DC Cord	1.5 Metre	1.5 Metre
DC Plug (mm)	Right-Angled 2.1 C+ve	Right-Angled 2.1 C+ve

Input Characteristics		
Rated Input Voltage	100-240Vac	
Full Input Voltage Range	90-264Vac	
Rated Frequency	50-60Hz	
Full Frequency Range	47-63Hz	
Efficiency (min.)	77.76%	80.29%
Input Current (RMS Max.)	300mA	800mA
Inrush Current	No damage shall be occurred and the input fuse shall not be blown up.	No damage shall be occurred and the input fuse shall not be blown up.
Leakage Current	<0.25mA	<0.25mA
Input Power (no load)	<0.3W Max. (Level V ErP/EuP/CEC Compliant)	
AC Inlet	Pack of 4 AC blades - UK, Euro, US & AUZ	

Safety, Mechanical and Other Characteristics	
Range Model Designations	DSA-12CA & DSA-24CA (specified individually on each product label)
Hi-Pot Specification	3000Vac or 4242Vdc 10mA 1 min. (I.P. to O.P.)
Insulation Resistance	500Vdc to test the I.P.-O.P resistance not less than 100Mohm (I.P. to O.P.)
Operating Temperature	0°C to 40°C
Storage Temperature	-20°C to 60°C
Operating Humidity	20% to 85%
Storage Humidity	5% to 95%
Safety Approvals	UL/C-UL (UL60950-1), TUV-GS (EN60950-1), T-LICENSE (BS EN60950-1), SAA(AS/NZS60950)
EMI Standards	FCC(PART 15 Class B), CE(EN55022), C-TICK
PB-free	Yes. RoHS Compliant
MTBF	50K Hours (mean time before failure)



Stontronics Ltd

Chancerygate Business Centre, Cradock Road, Reading, Berkshire, RG2 0AH.

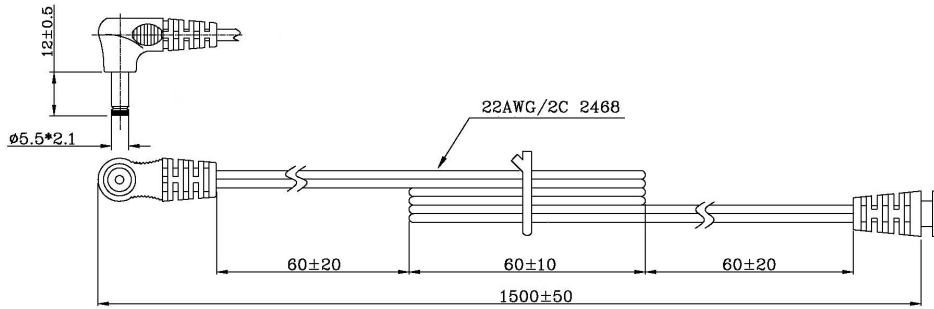
Tel: +44 (0) 118 931 1199 • Fax: +44 (0) 118 931 1145 • Email: info@stontronics.co.uk • Web: www.stontronics.co.uk

Please Note: Image shown is representative of entire range. Individual PSU image &/or drawings or data sheets available on request.

Stontronics Ltd accepts no responsibility for typographical errors in the production of this leaflet. Product specifications are subject to change without notice.

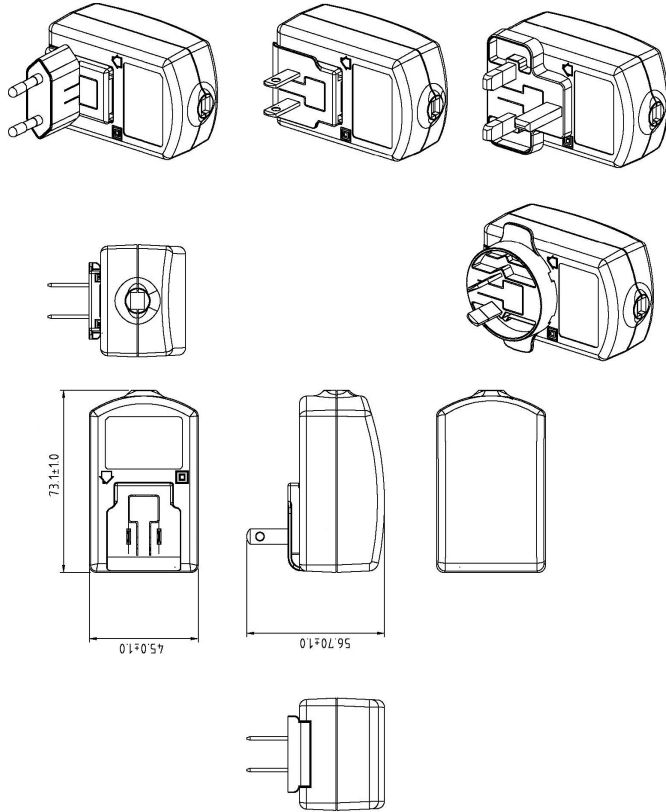
DC Plug & Lead Drawing

• 1.5M DC Lead:

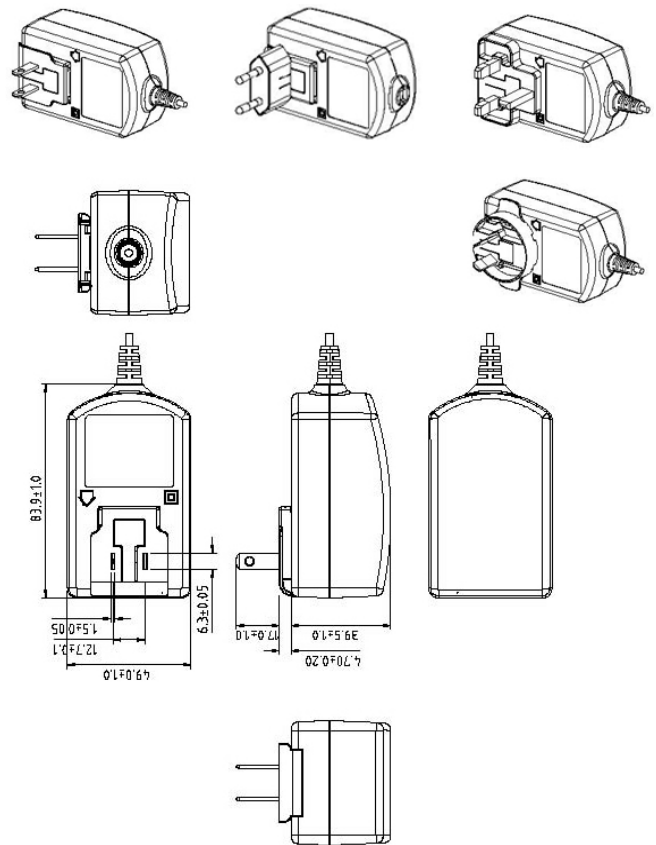


Case Drawings:

• 79x55.4x37 mm:



• 85 x 50 x 40 mm:



Example Spec Label:

STONTRONICS LTD. Switching Adapter
 MODEL: DSA-12CA-12 120100
 P/N: T3621ST
 INPUT: 100-240V ~ 50/60Hz 0.3A
 OUTPUT: +12V = 1A
 LEVEL 3 EFFICIENCY LEVEL: V

UL LISTED I.T.E. L.P.S. FC V100236 N136
 TÜV GS CE (X)
 Made In China



Stontronics Ltd

Chancerygate Business Centre, Cradock Road, Reading, Berkshire, RG2 0AH.

Tel: +44 (0) 118 931 1199 • Fax: +44 (0) 118 931 1145 • Email: info@stontronics.co.uk • Web: www.stontronics.co.uk

Please Note: Image shown is representative of entire range. Individual PSU image &/or drawings or data sheets available on request.

Stontronics Ltd accepts no responsibility for typographical errors in the production of this leaflet. Product specifications are subject to change without notice.