

100 ~ 120 Watts Single Output AC-DC Adaptor DeskTop Type for I.T.E.

FEATURES

- ◆ Universal Input, desktop style
- ◆ PF > 0.95 @230VAC, full load
- ◆ Over voltage Protection
- ◆ Overload and short circuit protection
- ◆ Fanless, convection cool
- ◆ Meet CEC regulation, efficiency level V
- ◆ Class I / Class II Insulation



SPECIFICATIONS

Input Voltage Range.....90~264VAC
 Input Current (rms).....1.8A Max.
 Efficiency.....70% min. @ full load,vin=230V
 Output Voltage.....anywhere voltage 5-6V/12-24V/30-36V/40-50V
 Voltage Regulation.....± 5% ~ ±3%
 Withstand Voltage.....I/P-O/P: 3000 VAC (Class II)
 I/P-O/P(V+): 4242 VDC, I/P-FG: 2121 VDC (For Class I)
 Operating Temperature.....-10°C ~ +50°C
 (derated linearly from 100% load @ 40°C to 75% load @ 50°C)
 Storage Temperature.....-20°C ~ 85°C
 Operating Humidity.....20% to 90% RH
 Protections.....OVP, OLP, Short Circuit Protection
 CoolingConvection-cooled
 Safety Standard.....IEC/UL/EN60950-1,CE, CB
 EMC Standard.....(EN55022, CISPR22, FCC Part 15) Class B,
 EN6100-3-2, 3, EN61000-4-2, 3, 4, 5, 6, 8, 11, EN55024
 Standard Output Connector.....4 pin power din (FMP02-4P)
 Standard Output Cable/Length.....UL 1571 / 4Ft.

All Specifications are Typical at Nominal Line, full Load and 25°C.
 Unless Otherwise Noted.

Model Number	Output Voltage (VDC)	Output Current (A)	Total Reg.	Ripple Noise (mV)	Max. Watts	CEC
FRA120-S05-Z	5-6	12-10	±7%	50	60W	--
FRA120-S12-Z	12-15	8.33-6.66	±5%	100	100W	IV
FRA120-S15-Z	15-18	8-6.66	±5%	100	120W	V
FRA120-S18-Z	18-21	6.66-5.71	±5%	200	120W	V
FRA120-S24-Z	21-24	5.71-5	±3%	200	120W	V
FRA120-S36-Z	30-36	4-3.33	±3%	240	120W	V
FRA120-S48-Z	40-50	3-2.4	±3%	240	120W	V

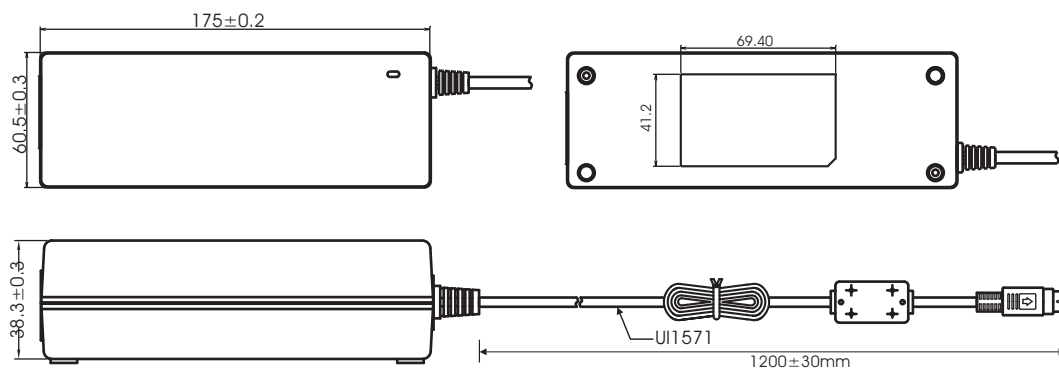
Ordering Information:

* z can be 4 or 6 for "4=C14", "6=C6", "8=C8" type .

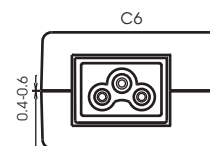
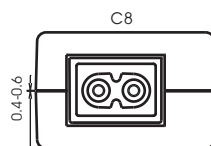
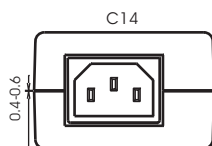
* Those items with CEC level V (or IV) compliance are also compliant to ErP step 2 (or step 1).

* CEC compliance model standby power (@ no load) < 0.5 W.

MECHANICAL DRAWING (Unit: mm)



PIN 1	Vo +
PIN 2	Vo +
PIN 3	Vo -
PIN 4	Vo -
SHIELD5	VO - + F.G.(Class I)



Stontronics Ltd

Chancerygate Business Centre, Cradock Road, Reading, Berkshire, RG2 0AH

Tel: +44 (0) 118 931 1199 - Fax: +44 (0) 118 931 1145 - Email: info@stontronics.co.uk - www.stontronics.co.uk

Stontronics Ltd is not responsible for typographical errors. Product specifications are subject to change without notice.