

PRODUCT CODE :

DESCRIPTION : 14,8 V 2000 mAh –LiPO cell

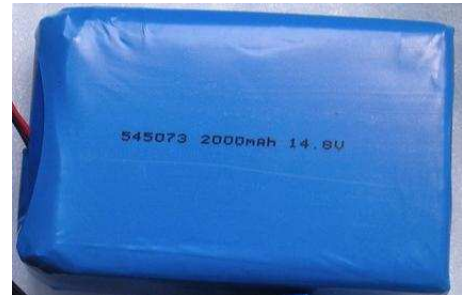


GENERAL INFORMATION

These Li-Po cells and Battery packs offer the best energy density of the market for small applications, building portable power solutions needing high energy density and low weight.

ADVANTAGES

- High energy density.
- Friendly environmental batteries.
- Low cost, long life with more than 500 charging - discharging cycles.
- Low internal resistance with excellent discharging rate.
- Recharging is allowed even after long storage period.
- 1-2 hours fast charge is allowed.
- Wide working temperature range.
- Includes BMS protection system.



APPLICATIONS

Suitable for Cameras, GPS Receivers, PDA, Clocks, Remote Controls, Safety Devices, High Drain Devices, Cordless Phone Tools, Lighting or other device needing 3.7V power. Building portable power device needing high energy density and low weight.

TECHNICAL CHARACTERISTICS

NOMINAL SPECIFICATION

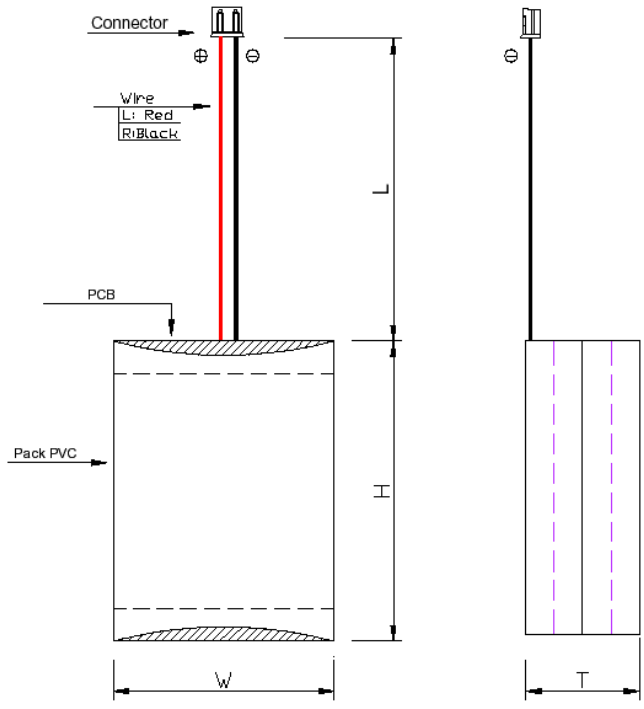
SIZE	Pouch Type Cell
NOMINAL CAPACITY (mAh)	2000 mAh
RATED VOLTAGE (V)	14,8 V
IMPEDANCE STANDARD (mΩ)	≤400 mΩ
DISCHARGE CUT-OFF VOLTAGE (V)	12.0 V
CHARGING VOLTAGE (V)	16,8 ± 0,06 V
STANDARD CHARGE	CONSTANT CURRENT: 0,5C ₅ A CONSTANT VOLTAGE: 16,8 V CUTOFF: 0,01 C ₅ A
STANDARD DISCHARGE	0,2 C ₅ A
FAST DISCHARGE	1 C ₅ A
DIMENSIONS (L×W×H)	79x51x23 (mm)
WEIGHT (gr)	168 gr.
OUTPUT AND INPUT	P+(red) / P-(black)
AMBIENT TEMPERATURE	CHARGE → standard = 0°C ~ 45°C DISCHARGE → -10°C ~ 45°C STORAGE → <1 year = -20°C ~ 25°C / <3 months = -20°C ~ 40°C

PRODUCT CODE :

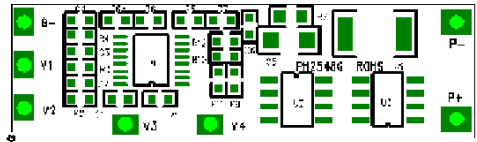
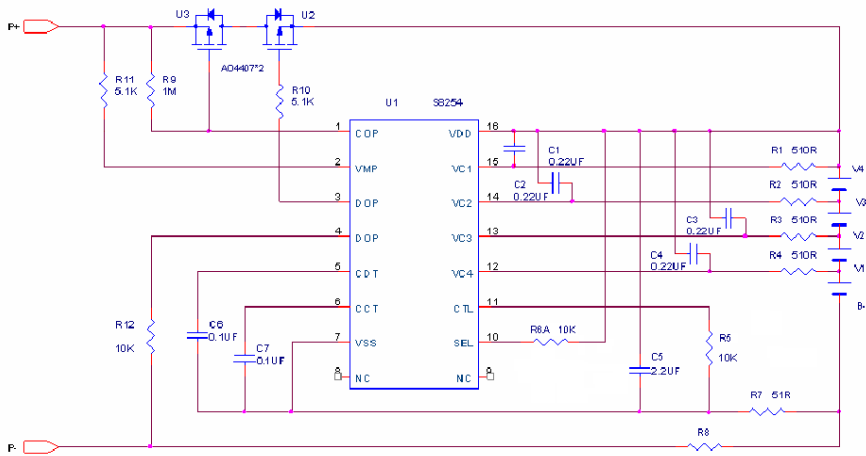
DESCRIPTION : 14,8 V 2000 mAh –LiPO cell



DRAWING CHARACTERISTICS



SCHEMATIC DIAGRAM – BMS PCB



A Division of CEGASAINTERNACIONAL 11 Artapadura | 01013 Vitoria-Gasteiz | Spain

34 945 129 510 34 945 129 567

info@cegasamotionenergy.com www.cegasamotionenergy.com