



APPROVAL

SHEET

FOR

AC-DC LED DRIVER

MODEL NO.

DSA-36PFA-40

Stontronics Ltd

Chancerygate Business Centre, Cradock Road, Reading, Berkshire, RG2 0AH

Tel: +44 (0) 118 931 1199 - Fax: +44 (0) 118 931 1145 - Email: info@stontronics.co.uk - www.stontronics.co.uk

Stontronics Ltd is not responsible for typographical errors. Product specifications are subject to change without notice.

CONTENT of APPROVAL SHEET

0. REVISION CONTROL LIST -----	3
1. SPECIFICATION -----	4-7
0. REVISION CHANGE DESCRIPTION -----	4
1. GENERAL DESCRIPTION -----	4
2. INPUT REQUIREMENT -----	4
3. OUTPUT REQUIREMENT -----	5
4. MECHANICAL REQUIREMENT -----	5
5. ENVIRONMENTAL REQUIREMENT-----	6
6. SAFETY REQUIREMENT -----	6
7. RELIABILITY -----	7
2. RATING LABEL DRAWING -----	8
3. PRODUCT OUTLINE DRAWING -----	9-10
4. INPUT CONNECTOR DRAWING-----	11
5. OUTPUT CONNECTOR DRAWING-----	12
6. PACKING DRAWING-----	13

APPROVAL BY	SAFETY	DIRECTOR	ENGINEER	PREPARED
鄧俊高 2011/07/21	黃艷華 2011/07/21	劉躍秋 2011/07/21	鄔香春 2011/07/21	鄭佩紅 2011/07/20

0. REVISION CONTROL LIST

-- 1 / 1

DATE	REVISION CONTROL ITEMS					
	CONTENT OF APPROVAL SHEET	SPECIFICATION	RATING LABEL DRAWING	DC OUTPUT CORD DRAWING	PRODUCT OUTLINE DRAWING	PACKING DRAWING
2011.01.20	A	A	A	A	A	A

REVISION CHANGE DESCRIPTION

ITME	REV	DESCRIPTION

1. SPECIFICATION

-- 1 / 4

0. REVISION CHANGE DESCRIPTION

Revision	Description	Date
A	Initial release	2011.01.20
B	Revise N/P	2011-7-21

1. GENERAL DESCRIPTION

This specification defines the input, output, performance characteristics, environment, noise and safety requirements for a 38.4 watts switching type LED Driver

The LED Driver is full range AC input with +40V DC constant voltage output and floating +27~+40V DC output with 960mA constant current output.

2. INPUT REQUIREMENT

2-1 AC INPUT VOLTAGE

MINIMUM	NOMINAL	MAXIMUM
90VAC	100-240 VAC	264 VAC

2-2 AC INPUT FREQUENCY

MINIMUM	NOMINAL	MAXIMUM
47 Hz	50 / 60 Hz	63 Hz

2-3 AC INPUT CURRENT

115 VAC INPUT	0.5 A maximum
---------------	---------------

2-4 AC INRUSH CURRENT

AT FULL LOAD, 25 DEGREE C, COLD START

115 VAC, 60Hz INPUT	No damage shall be occurred and the input fuse shall not be blown up.
---------------------	---

2-5 PRIMARY CURRENT PROTECTION

An adequate internal fuse on the AC input line is provided.

2-6 POWER CONSUMPTION ON POWER SAVING MODE

LOAD	INPUT CONDITION	INPUT POWER REQUIREMENT
0 A	115 VAC 50/60 Hz	3W maximum
0A	230 VAC 50/60 Hz	3W maximum

1. SPECIFICATION

-- 2 / 4

3. OUTPUT REQUIREMENT

3-1	CONSTANT VOLTAGE	+40±5%
3-2	FLOATING OUTPUT VOLTAGE	+27~+40 V
3-3	MINIMUM LOAD CURRENT	0 A
3-4	RATED LOAD CURRENT	0.96A
3-5	RATED OUTPUT POWER	38.4W
3-6	TOTAL OUTPUT REGULATION	±5%
3-7	CONSTANT CURRENT	0.96A ±5%
3-8	RIPPLE AND NOISE	3600mVp-p maximum
		At 20 MHz, and output parallel with 0.1uF & 10uF capacitors to ground Temperature at 25°C, and 115VAC input voltage
3-9	EFFICIENCY	85% minimum
		Full load
		ERP :2009/125/EC
3-10	POWER FACTOR	0.9 minimum
		At nominal input voltage and full load
3-11	PROTECTION	
	SHORT-CIRCUIT PROTECTION	The adapter shall not be damaged by short the DC output to Ground.
	OPEN CIRCUIT PROTECTION	When primary power is applied with no load on any output level, no components of damaged or hazardous conditions should be occurred.
3-12	REMARK	Unless otherwise specification output load Must set at CR mode.

4. MECHANICAL REQUIREMENT

4-1 DIMENSION

170 (L) * 46 (W) * 31 (H) mm maximum

4-2 WEIGHT

280 g maximum

4-3 INPUT CONNECTOR TYPE

3PIN: 22-16 SOLAWG

4-4 OUTPUT CONNECTOR TYPE

4PIN: 22-16 SOLAWG

1.SPECIFICATION

-- 3 / 4

5. ENVIRONMENTAL REQUIREMENT

5-1 COOLING

Cooling shall be with natural convection cooling

5-2 OPERATING TEMPERATURE

0 °C TO 40 °C

5-3 STORAGE TEMPERATURE

-20 °C TO +60 °C

5-4 OPERATING HUMIDITY

20 ~ 85 % RH. NON-CONDENSING

5-5 STORAGE HUMIDITY

5 ~ 95 % RH. NON-CONDENSING

6. SAFETY REQUIREMENT

6-1 DIELECTRIC WITHSTANDING VOLTAGE TEST (HI-POT TEST)

Primary To Secondary: 3000VAC 10mA 1minute or 4242VDC 10mA 1minute

6-2 LEAKAGE CURRENT

0.25mA maximum, at nominal AC input voltage and frequency

6-3 SAFETY STANDARD

Designed to meet

6-4 EMI STANDARD

Designed to meet

1.SPECIFICATION

-- 4 / 4

7. RELIABILITY

7-1 MEAN TIME BETWEEN FAILURE (MTBF)

The power supply shall be designed and produced to have a mean time between failures (MTBF) of 50000 operating hours minimum conditions: 100% maximum load at 25°C, nominal input voltage.

Standard: MIL-HDBK-217F

2. RATING LABEL DRAWING

-- 1 / 1

LED DRIVER
LED 驱动器

型号 DSA-36PFA-40 4000961

帝闻企业股份有限公司

MADE IN CHINA 中国制造

Input Voltage/输入电压	100-240V
Input Current/输入电流	0.5A
Input Frequency/输入频率	50/60Hz
Power Factor/功率因素	0.9 Min
Operating Temp/工作温度	0°C-40°C
Output Voltage/输出电压	DC 40V Max
Rated Output Current/输出电流	960mA (CC mode)
LED Voltage/LED工作电压	DC 27-40V
Output Voltage/输出功率	38.4W

[Wiring diagram schematic]
接线图
100-240Vac 50/60Hz 0.5A

● TC=70°C
SELV
For LED module only
(XLED) 具使用

LED Driver

OUTPUT 输出

0.5-1.5mm²

工單號碼: YJ2-00843 客戶: A200

1:1

87.8 mm

32.3 mm

LED DRIVER
LED 驱动器

型号 DSA-36PFA-40 4000961

帝闻企业股份有限公司

MADE IN CHINA 中国制造

Input Voltage/输入电压	100-240V
Input Current/输入电流	0.5A
Input Frequency/输入频率	50/60Hz
Power Factor/功率因素	0.9 Min
Operating Temp/工作温度	0°C-40°C
Output Voltage/输出电压	DC 48V Max
Rated Output Current/输出电流	800mA (CC mode)
LED Voltage/LED工作电压	DC 27-40V
Output Voltage/输出功率	38.4W

[Wiring diagram schematic]
接线图
100-240Vac 50/60Hz 0.5A

● TC=70°C
SELV
For LED module only
(XLED) 具使用

LED Driver

OUTPUT 输出

0.5-1.5mm²

NOTE:

- 1.顏色:銀底黑字
- 2.材質:消銀龍加亮面(UL, CSA APPROVAL)
- 3.處理:永久背膠
- 4.須由UL, CSA合格廠商承制
- 5.儲存溫度: -20°C及+90°C之範圍
- 6.待業務確認安規等各項再行制作生產
- 7.禁止使用DVE所禁用之危害物質
8. LABEL厚度為0.25+/-0.02mm

FROM NO.:1	COMPUTER NO.:			
REV	ZONE	DESCRIPTION	DATE	BY
C		修正銘版內容	11/07/15	X M

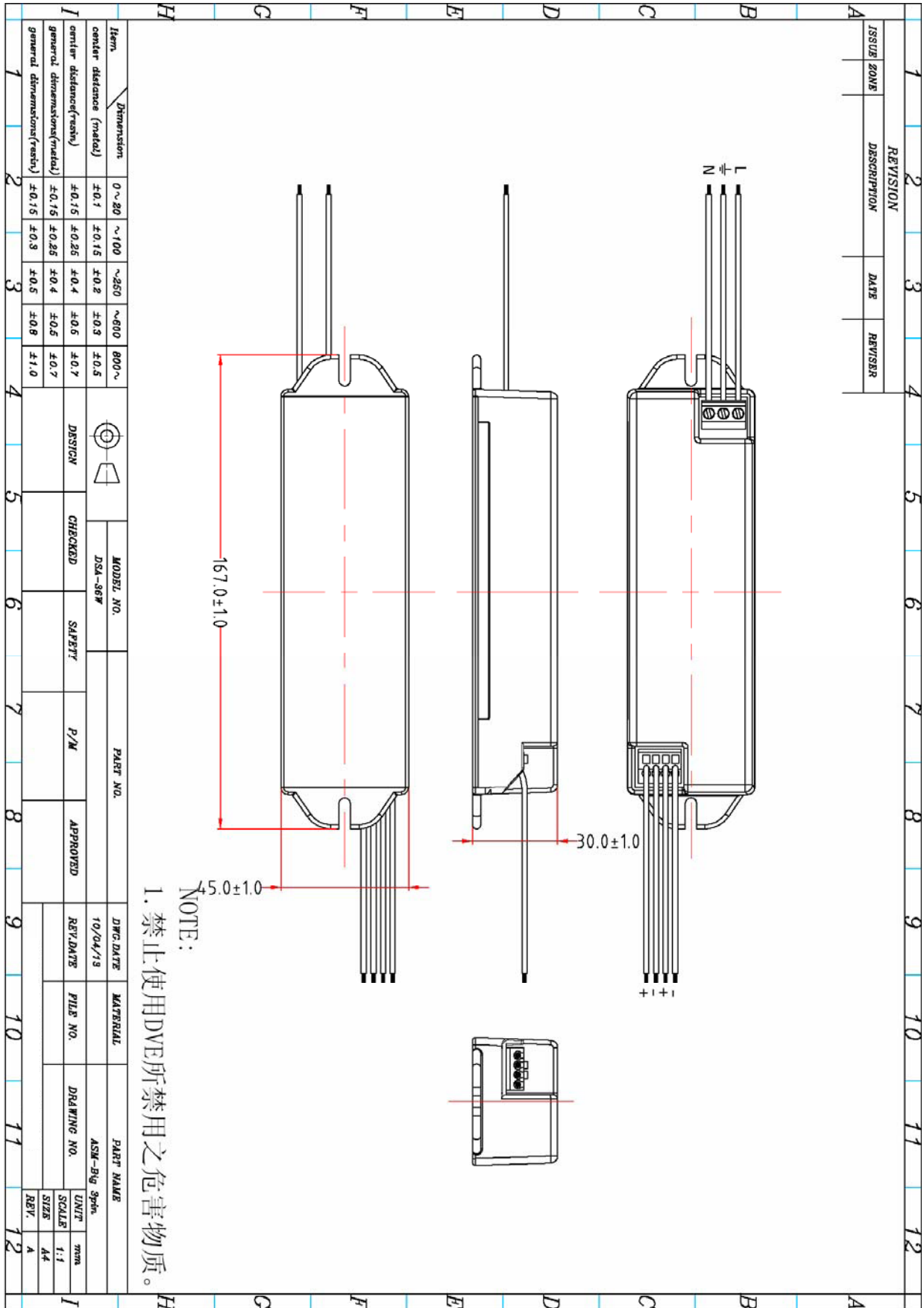
DEPART	M ENT	UNIT	CASE	PART NO.	SALE	DIMENSIONAL TOLERANCE
R&D	SPS	mm		89P36PFA40-01H		+0-0.2mm
APPD.	BY	CHD.	BY	DWG.	BY	SAFETY 備注

MODEL NO.:	DSA-36PFA-40	PAGE	10F1			
				X M	FO-S2010	

FM-336(V0)

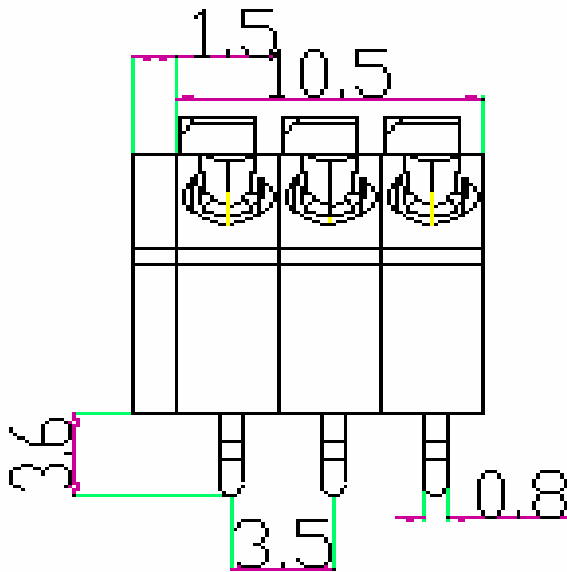
3.PRODUCT OUTLINE DRAWING

-- 2 / 2



4. INPUT CONNECTOR DRAWING

-- 1 / 1

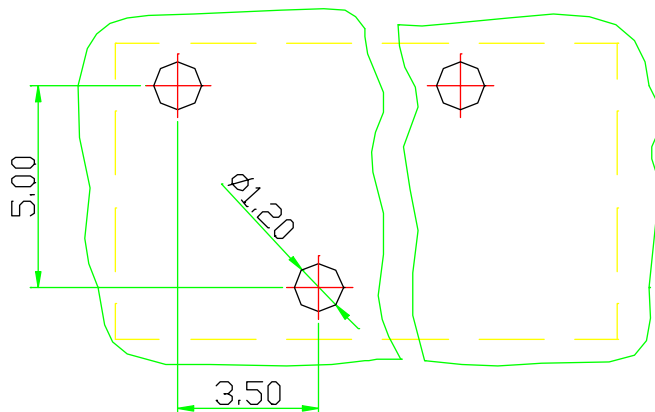
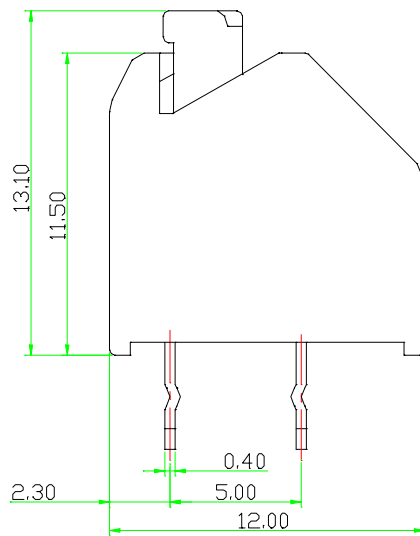


NOTE:

RATED: 22-16AWG

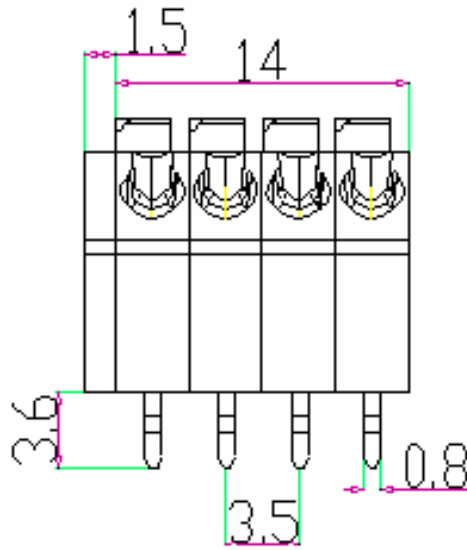
ELECTRICAL: 300V 8A

COLOR: ORANGE



5. OUTPUT CONNECTOR DRAWING

-- 1 / 1



NOTE:

RATED: 22-16AWG

ELECTRICAL: 300V 8A

COLOR: GRAY

